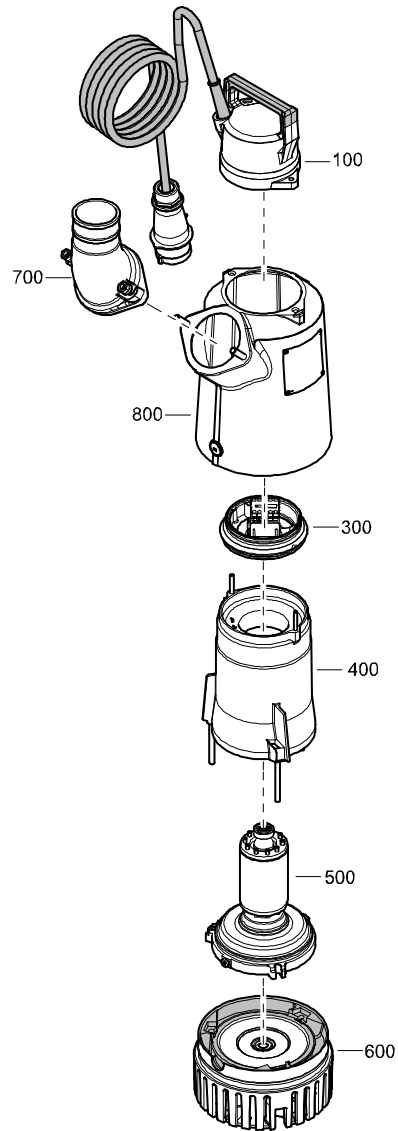


# OVERVIEW



REF	PART NUMBER	DESIGNATION	QTY
100	-	CONTACTOR COVER 3PH	1
300	-	UPPER BRACKET CPL	1
400	-	STATOR UNIT	1
500	-	LOWER BRACKET CPL	1
600	-	WET END 40N 50Hz	1
700	-	DISCHARGE KIT 3" FOR HOSE	1
800	-	OUTER CASING CPL	1